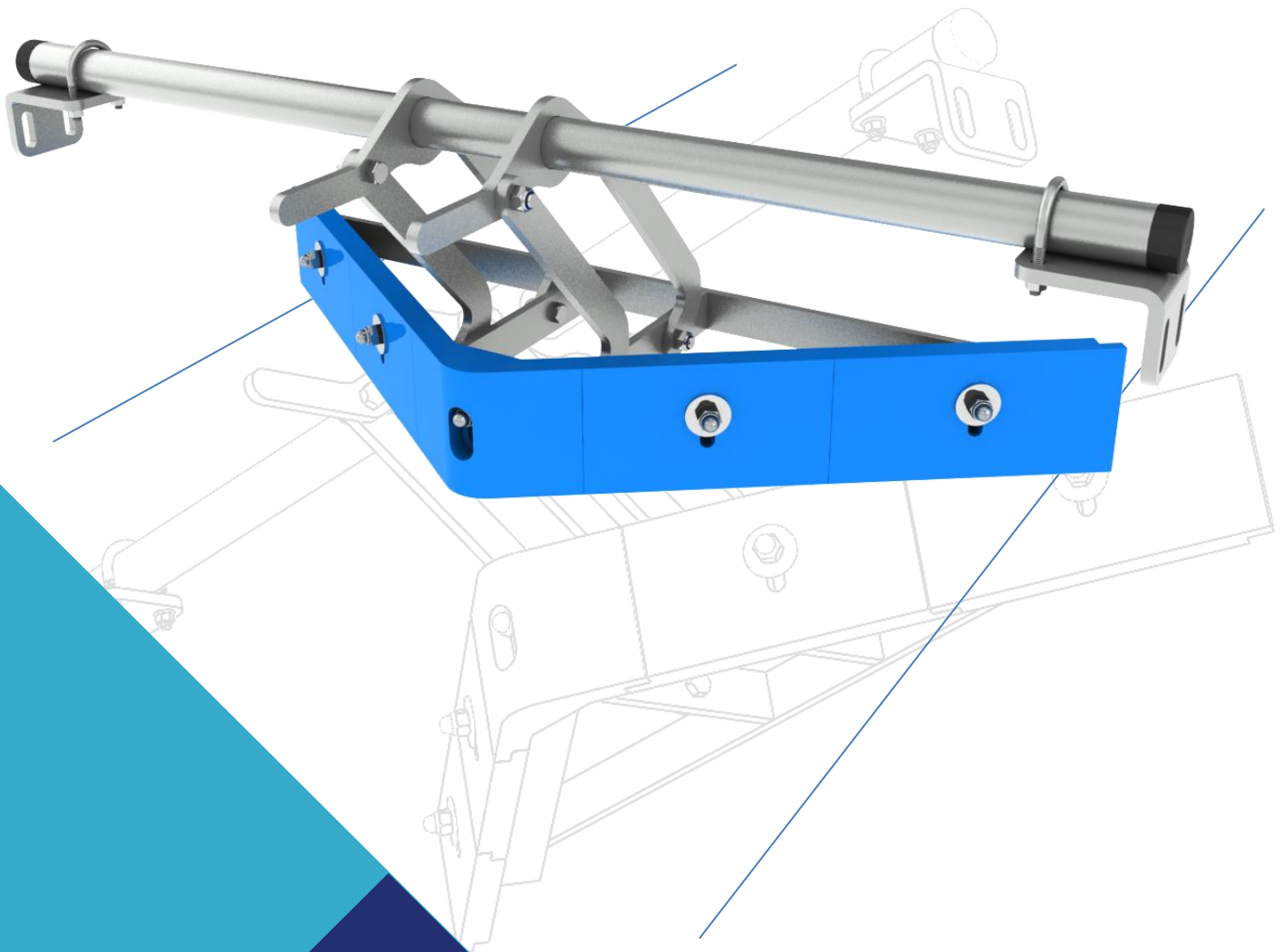




TECHNICGUM
POLYMERES

56, CHEMIN DE CASTEAU
B-7063 NEUFVILLES
T +32.65 73 10 93
F +32.65 73 10 94
Email : info@tgipoly.com

RacloFlex VP

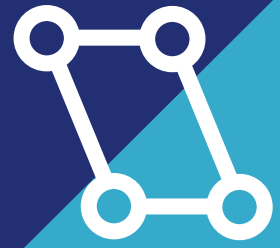
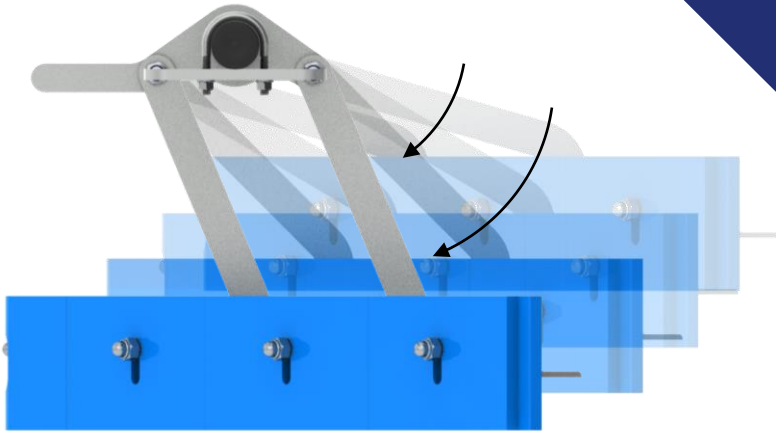


V-plough segmented
belt cleaner with
automatic pressure

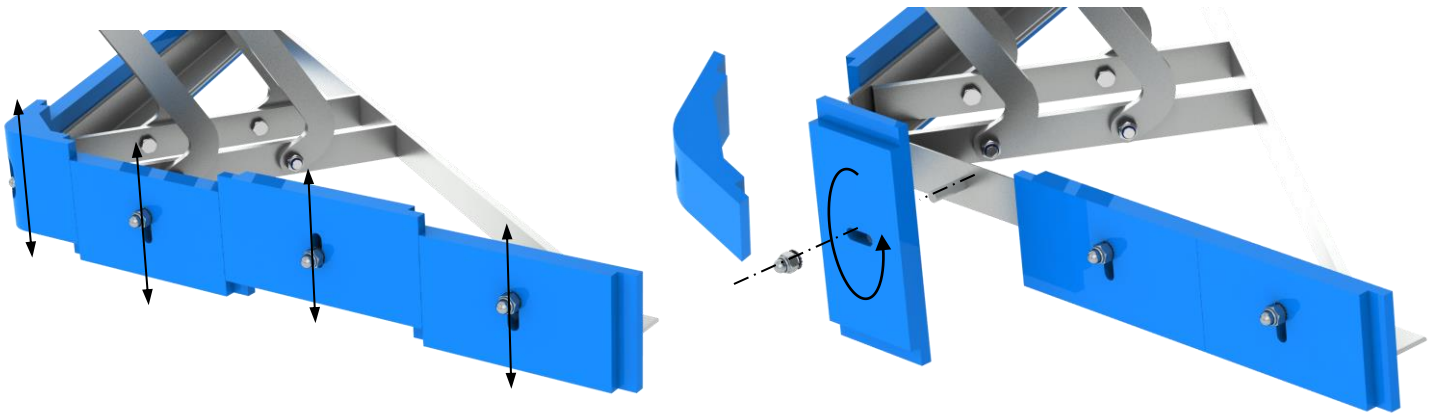


Designed by TechnicGum in Belgium
Made & Assembled in European Union





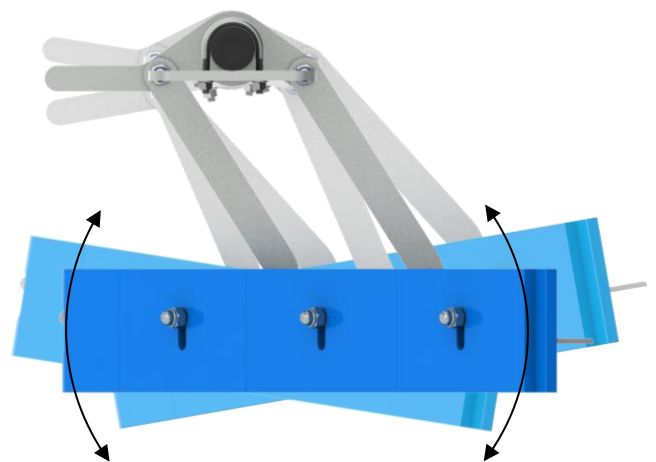
The articulated parallelogram support keeps permanent contact with the belt regardless the level of wear of the blade and allows it to rise-up in dangerous situation



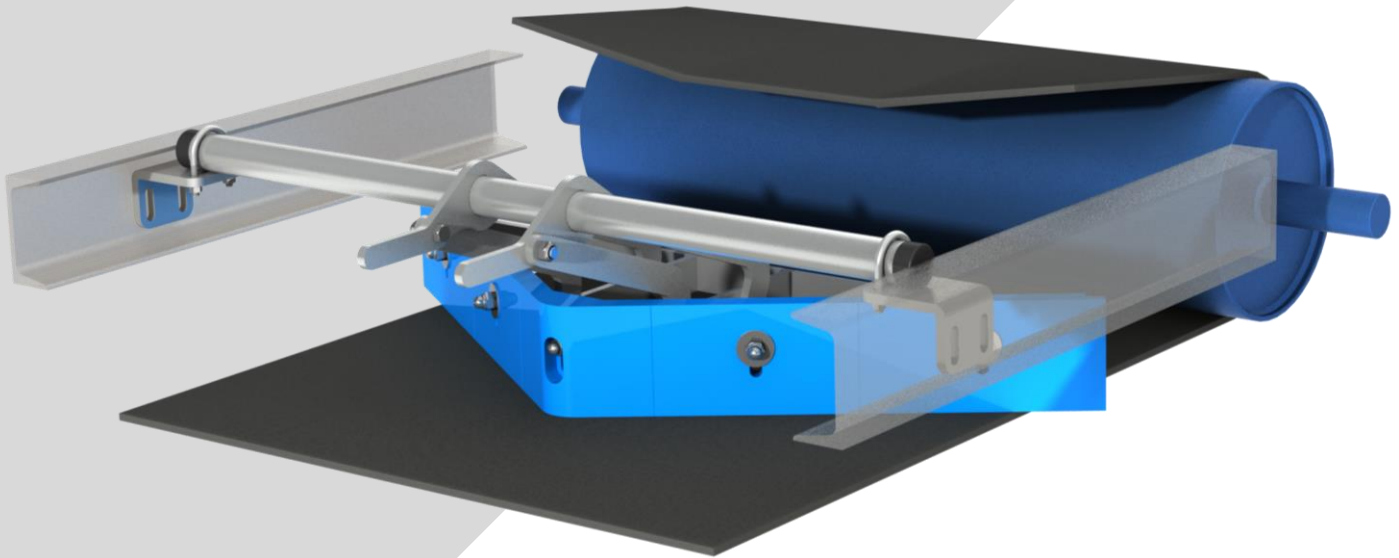
The RacloFlex VP blade is made of high-strength polyurethane* modules which can be adjusted in height, turned 180 ° (double-sided) and replaced independently at low cost

** Abrasion index 25mm³ svt DIN53516/10N*

- Small footprint
- Easy installation
- Innovative design
- Simple adjustment
- Quick replacement
- Automatic retraction safety
- Reduced scraping pressure
- Compatible with many products
- Simplified modular replacement



Adjustment of the angle for the distribution of the blade pressure between the center and the sides



Options and accessories

Special key « MultiTool »

Grouping every necessary functions for manipulation and setting of scraper



Shifting ring

Allows to create an offset of the support tube to bypass an obstacle



General data

Scraping width

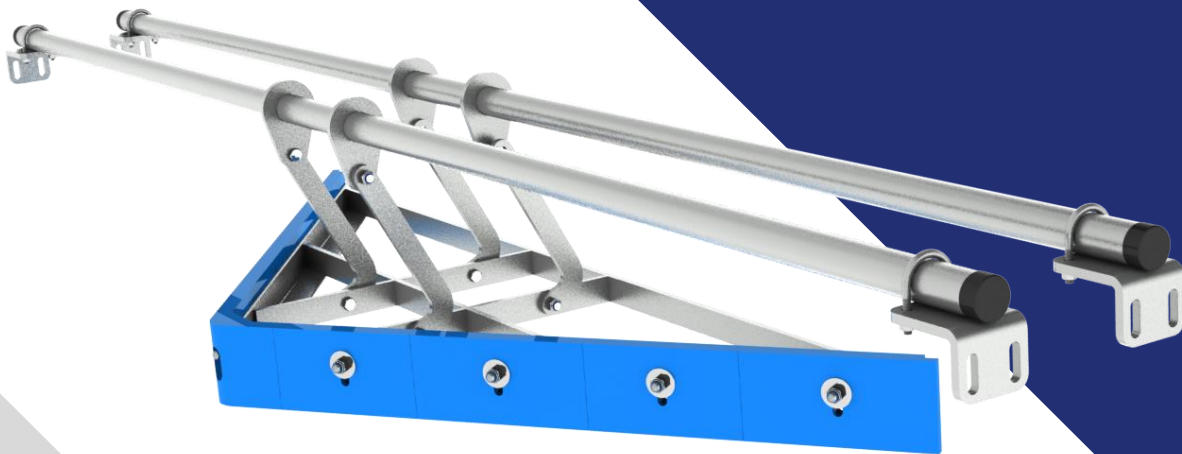
BW	500	650	800	1000	1200	1400	1600	1800	2000	2200
RacloFlex VP	550	685	950	1070	1320	1455				
RacloFlex VP-HD					1320	1455	1670	1840	2055	2230

Dimensions in millimeters

Quality of blade:	Wear resistant polyurethane: 25mm ³ svt DIN53516-10N
Working position:	Blade oriented "in snow chase" behind the support shaft
Surface treatments:	All electro-galvanized metal parts + stainless steel bolts A2
Temperature:	-15 ° / + 50 ° C
PH Range:	3 to 11
Max speed:	1 direction = 3 m / s
Do not expose:	Two way belt: use the RacloFlex DP Hot steam: special quality available Corrosive atmosphere: All or part stainless steel Uncontrolled fouling on the entire scraper

RacloFlex VP-HD

The reinforced version RacloFlex VP-HD is available for belt from 1200 to 2200; Doubled support shaft and reinforced structure



RacloFlex DP

The RacloFlex DP-HD straight-line version is available for two-way belt

