

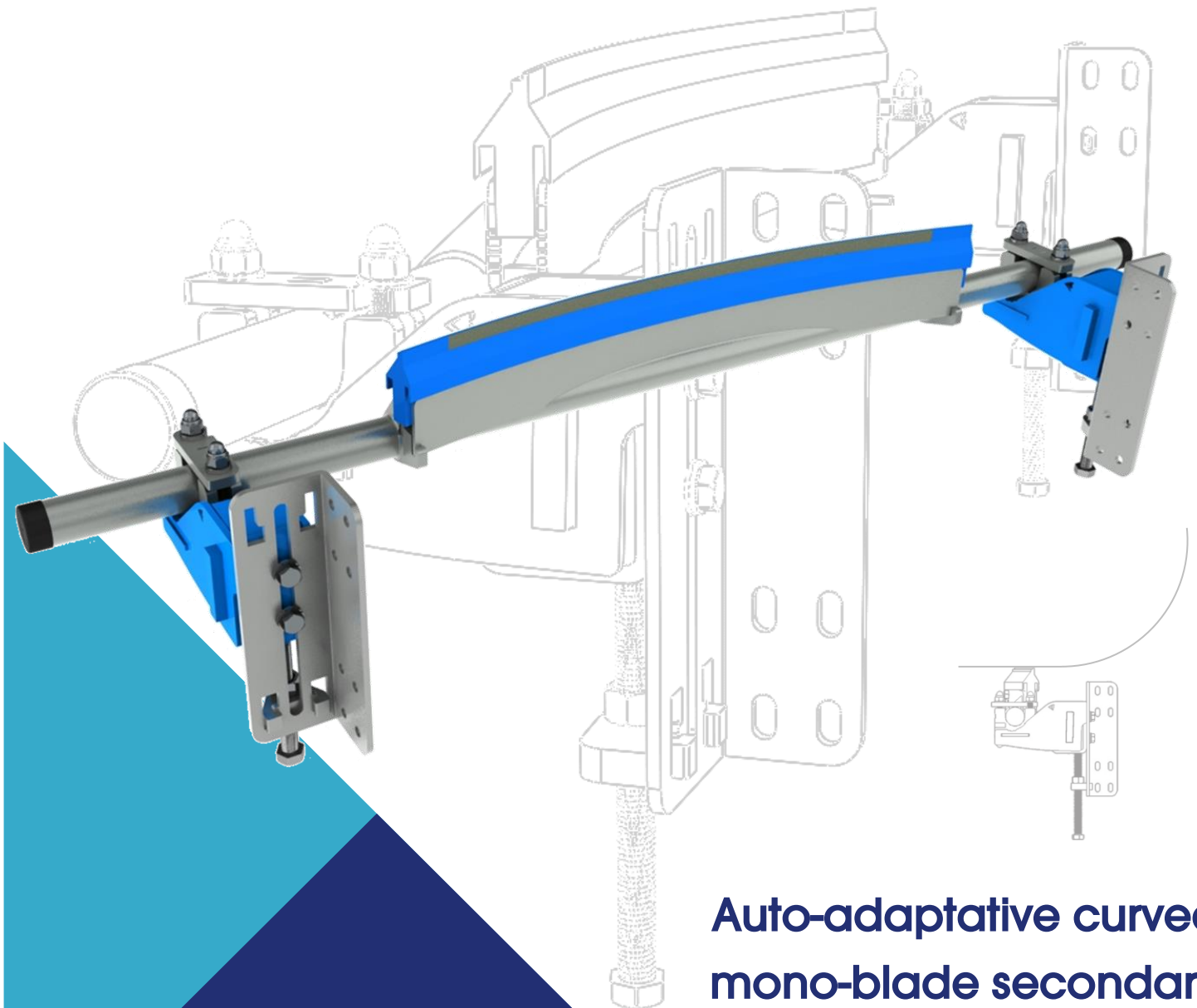


TECHNICGUM POLYMERES

56, CHEMIN DE CASTEAU
B-7063 NEUVILLES
T +32.65 73 10 93
F +32.65 73 10 94
Email : info@tgipoly.com

RacloFlex Sw

Patented - Breveté

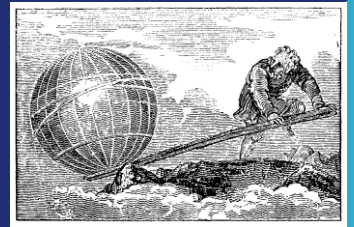
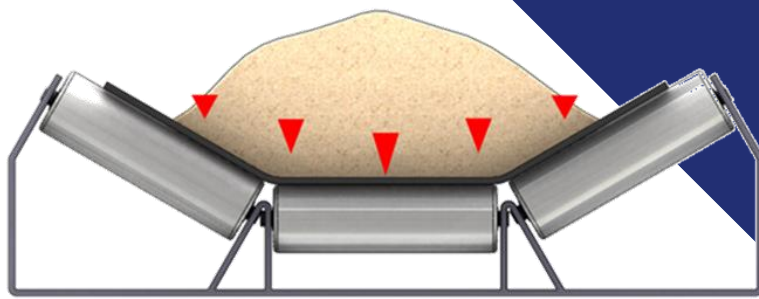


**Auto-adaptative curved
mono-blade secondary
belt scraper**



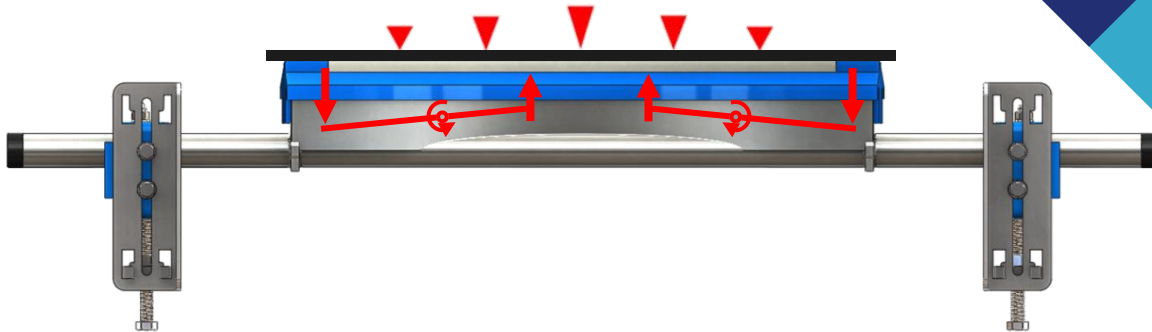
Designed by TechnicGum in Belgium
Made & Assembled in European Union



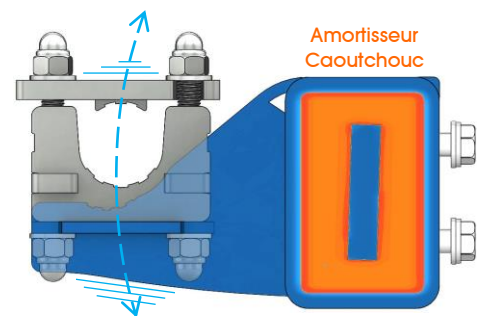
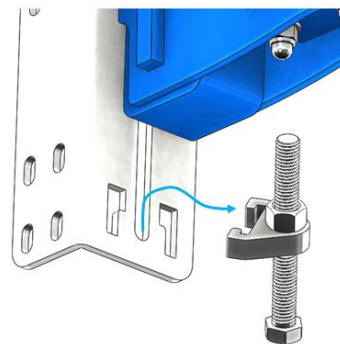
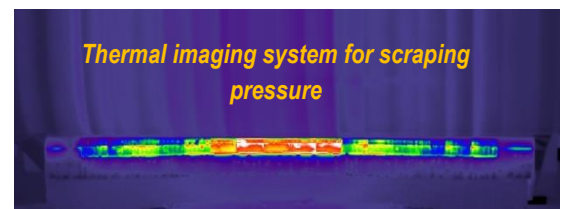
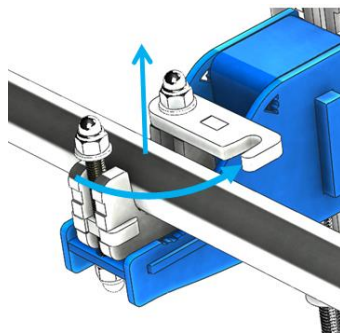
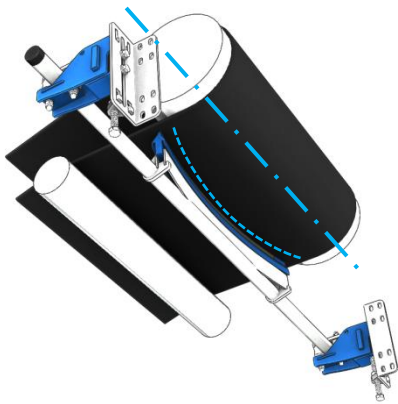


« Give me a lever
and a place to
stand, and i will
move the world»

Archimède



The RacloFlex Sw has a blade with two inner levers which transforms the lateral external pressures in an increased central pressure. Thus, she adapts automatically and compensates its wear continuously garantying a maximum efficiency and lifetime with a minimum maintenance. Standard features includes tungsten carbide 3x15mm high quality 90 HRa

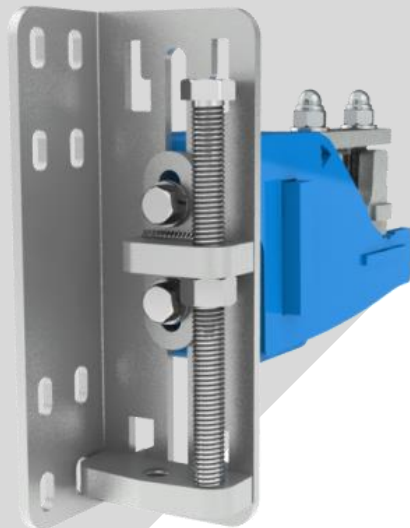


- Very few screws
- Easy installation
- Maximum lifetime
- Easy and compact
- Anti-clogging design
- Fast opening bearing
- Galvanised metal parts
- Minimum maintenance
- Retractable pressure screw
- Very high cleaning performance
- Curved blade clipped without settings
- Solid mechanism for a reasonable weight
- Graduated shock absorber, toothed, with non return



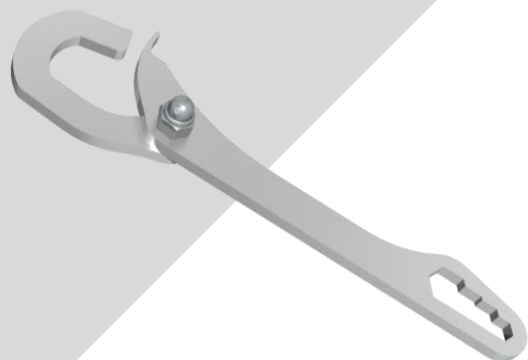
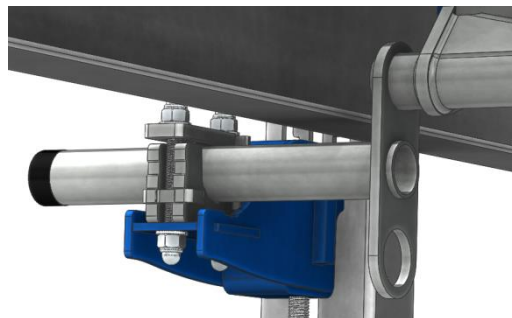
Pulling pressure

Enables the pressurisation of the scraper from the top without going beyond the angle



Shifting ring

Enables to cut and weld the support tube to shift the blade with respect to the support



Special key

« MultiTool »

Grouping every necessary functions for manipulation and setting of scraper

General Information

		BW	400	500	650	800	1000	1200	1400	1600	1800	2000	2200
RacloFlex SW	Scraping width		400	500	630	750	950	1150	1300				
	Tungsten width		315	395	520	640	800	960	1120				
RacloFlex Sw-HD	Scraping width						950	1150	1300	1500	1700	1900	2100
	Tungsten width						840	1040	1200	1400	1600	1800	2000

Dimensions in millimeter

Quality of the blade(s) : Tungsten carbide : 93 HRA 3x15mm
 Or- Tungsten carbide : 93 HRA 5x20mm
 Or- Impact carbide : 66 HRA 5x10mm
 Or- Wear resistant polyurethane : 25mm³ svt DIN53516-10N

Work position : Scraping angle = 90° (see note)

« spoon » blade and front shock-absorbers

Surface treatment : All electro-galvanized steel pieces or painted + inox A2 bolts

Temperature : 0° / + 50° C

pH slot : 3 à 11

Miximum speed : Sw = 3 m/s ; SwHD = 5 m/s

Do not expose : Impact and staples on tungsten carbide and ceramic (choose

Polyurethane blades or impact carbide)

Hot water steam : special quality available

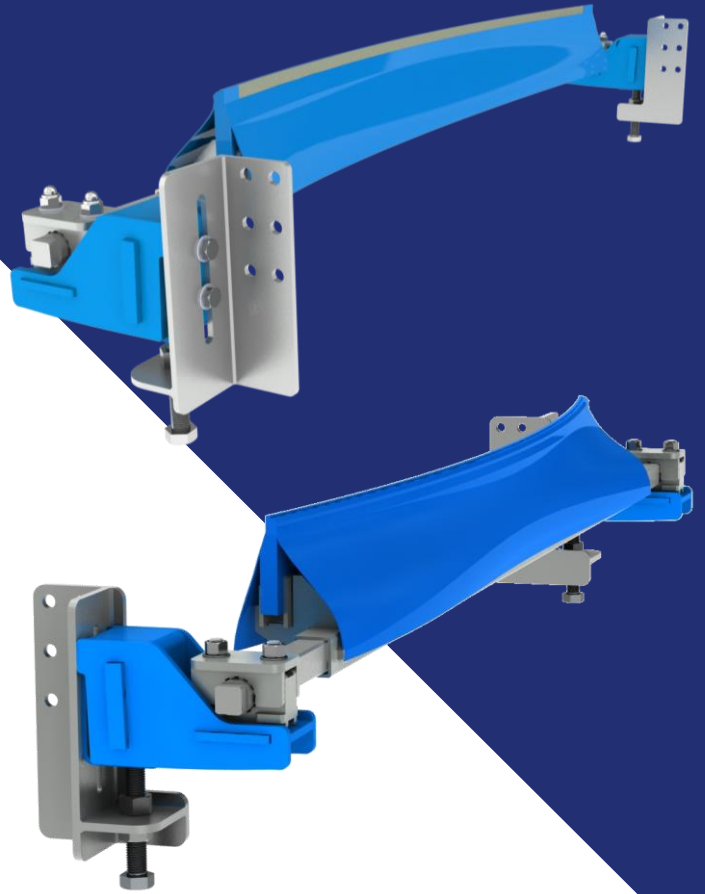
Corrosive atmosphere : Inox possible on all or part

Uncontrolled clogging on entire scraper

RacloFlex SwHD

Patented - Breveté

Heavy version RacloFlex SwHD
proposed for belts from 1400 to 2200
Tungsten carbide 5x20, big flexible
profiles and reinforced mechanism



To go further

Used jointly with the scraper

RacloFlex Z²

