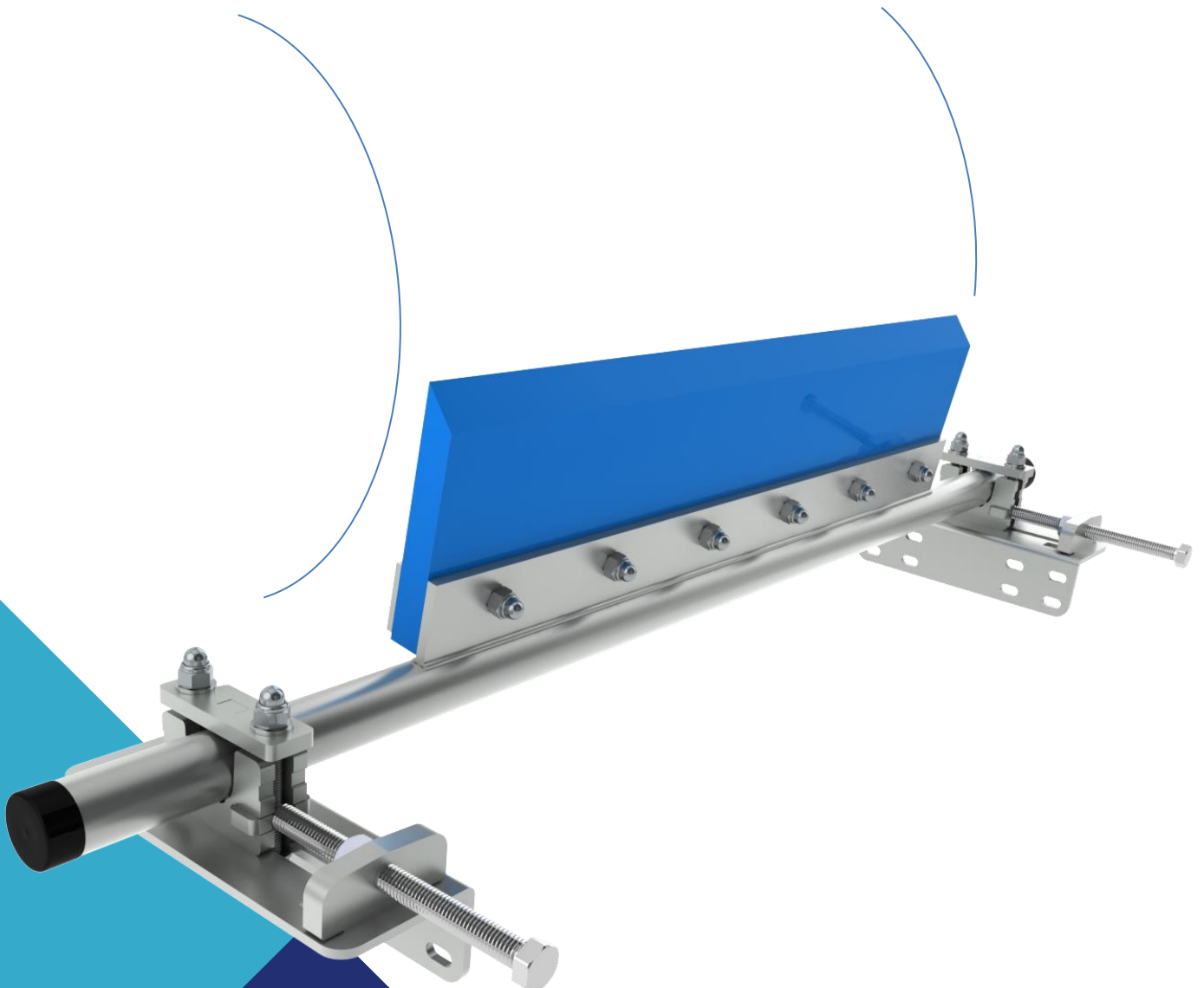




TECHNICGUM  
POLYMERES

56, CHEMIN DE CASTEAU  
B-7063 NEUFVILLES  
T +32.65 73 10 93  
F +32.65 73 10 94  
Email : info@tgipoly.com

# RacloFlex P



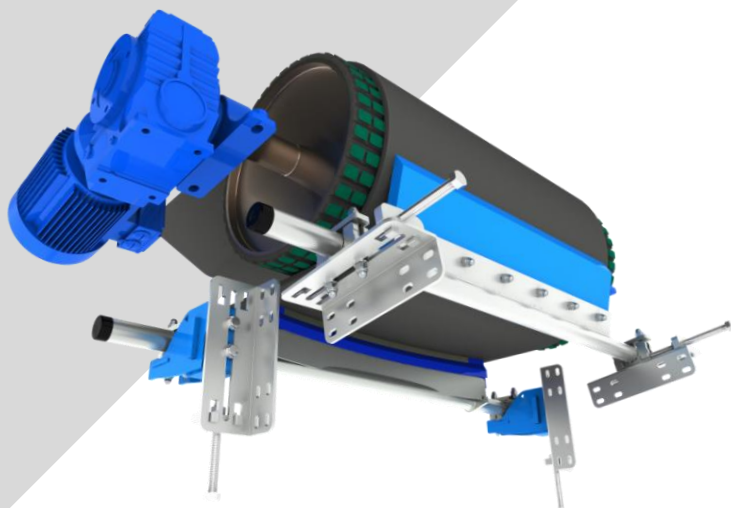
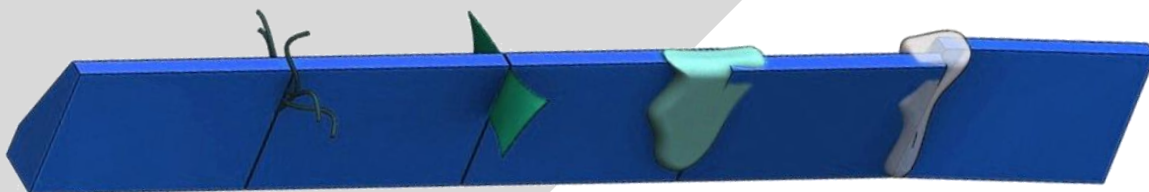
Polyurethane Primary  
mono-blade scraper  
especially useful for  
recycling industries



Designed by TechnicGum in Belgium  
Made & Assembled in European Union



In the case of conveyors transporting papers, textiles and/or wires, the primary multi-blade scrapers can easily be clogged by the product and become totally inefficient



The RacloFlex P can be used efficiently as pre-scraper to trim the cleaning work which will be done by a secondary scraper

Easy to use, space saving, low clogging, highly resistant to abrasion, to resume: « Simple & Efficient »



## Options et accessories

**Pulling pressure**  
Enables the pressurisation of the scraper from the top without going beyond the angle



**Special key**  
« MultiTool »  
Grouping every necessary functions for manipulation and setting of scraper

